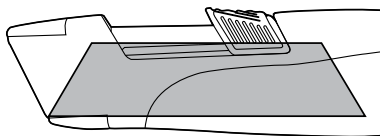


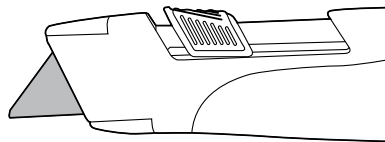
# SAFETY

## Self-Retracting **Double Plus+** Safety Knife

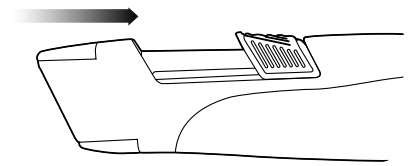
# Safe Work Instructions



**Storage:** Blade securely enclosed

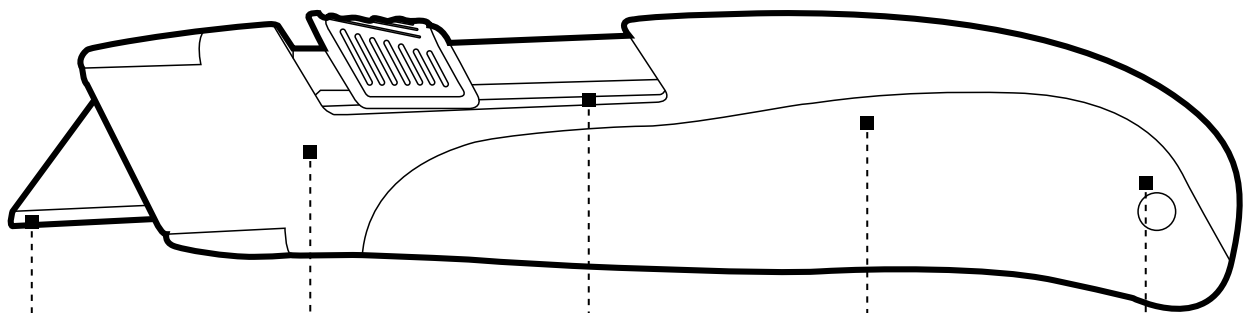


**Ready to use:** Push blade slider forward with thumb.



**Safe:** Hold slider out until cutting starts, release slider, continue cutting for safe operation.

**To replace blade:** Switch button on side from “work” to “change”. Push button to engage the blade all the way to the end. Then keep your thumb on the engage button and remove blade. Insert new blade. Push the engage button up a few times for blade to locate correctly. Slide backwards and forwards to ensure correct operation.



Round Point blade protects carton contents

Blade still retracts if contact is lost even when slider is pushed forwards

Rounded Thumb slider can be used from both sides or the top

Automatic Double Action blade retracting system to prevent injuries

Rubberized Grip avoids slipping